

IPPC-9151G IPPC-9151F

**Rugged Intel® Pentium® 4
Industrial Panel PC with
15" LCD**



Features

- Intel® Pentium® 4 processors up to 2.8 GHz
- 15" XGA TFT LCD provides vivid, sharp and large images
- Offers two expansion slots for PCI add-on cards
- Front access USB connector
- Heavy-duty stainless steel chassis with aluminum front panel
- Strengthened glass protects the front panel from shock damage and is NEMA4/IP65 compliant
- Built-in FDD and support for one CD-ROM and 3.5" HDD Drive
- Hard anodic coating to prevent panel abrasion and acid corrosion
- Supports industrial mounting rack and panel mounting

Introduction

IPPC-9151G is a fully functional computer system with support for CPUs of different classes (Pentium 4 up to 2.8 GHz) and resolution up to 1024 x 768 to meet the demands of today's high-end industrial software. IPPC-9151G is a rugged unit with an aluminum panel, tempered glass 15" TFT LCD, a stainless steel structure and two expansion slots. IPPC-9151G is rugged enough to handle the toughest industrial operating environments. With optional mounting accessories, from panels to racks, it can be mounted anywhere. There is also IPPC-9151F, which has a flat-sealed front panel for easier cleaning and liquid run-off, which is suitable for tough hygiene requirements in food & beverage manufacturing.

Specifications

General

- **BIOS** Award® 256 KB Flash BIOS
- **Certifications** BSMI, CCC, CE, FCC, UL
- **Cooling System** 2 x 10.1 CFM fans w/50,000 hrs MTBF
- **Dimensions (W x H x D)** 428 x 310 x 162 mm (16.85" x 12.2" x 6.37")
- **Disk Drive Bay** Supports one 3.5" HDD and build-in slim type CDROM & FDD
- **Enclosure** Stainless steel back case, 10 mm aluminum front panel
- **Mounting** Panel, rack
- **Power Input** 100 ~240 V_{AC} @ 50 ~ 60 Hz, 2 A
- **Power Output** + 5 V @ 15 A, +12 V @ 5 A, -12 V @ 0.5 A
- **Power Supply** 180 W, MTBF: 200,000 hrs
- **Weight (Gross)** 13 kg (28 lb)

System Hardware

- **Audio Ports** Mic-in, Line-in, Line-out, and game port
- **Chipset** Intel 845 GV
- **CPU** Socket 478 Intel Pentium 4 up to 2.8 GHz
Intel Celeron® up to 2.5 GHz (400/533 MHz)
- **Expansion Slots** 2 x low-profile PCI
- **IEEE-1394 Ports** 2 x IEEE 1394 ports (Firewire)
- **Keyboard/Mouse** 1 x PS/2 mouse and keyboard interface
- **LAN** 1 x 10/100Base-T
- **Memory** Two 184 pin DDR DIMM sockets supports up to 2 GB (Clock 266)
- **Parallel Ports** 1 x standard parallel port
1 x enhanced parallel port, supports SPP/EPP/ECP parallel mode.
BIOS configurable to LPT1, LPT2, LPT3 or disabled
- **PCMCIA Slots** 2 x Type II
- **Serial Ports** 1 x RS-232, 1 x RS-232/422/485
- **USB Ports** 4 x USB 2.0
- **Video Ports** S-Video

LCD Display

- **Backlight Life** 50,000 hrs
- **Contrast Ratio** 400 : 1
- **Display Size** 15"
- **Display Type** XGA TFT LCD
- **Luminance** 350 cd/m²
- **Max. Colors** 262,144
- **Max. Resolution** 1024 x 768
- **OSD Control** LCD ON/OFF, Brightness drop, up
- **Viewing Angle (H/V°)** 120/100

Touchscreen (Optional)

- **Interface** USB
- **Lifespan** 1 million touches at single point
- **Light Transmission** 75%
- **OS support** Windows 95/98/2000/XP
- **Type** Analog resistive (8-wire)

Environment

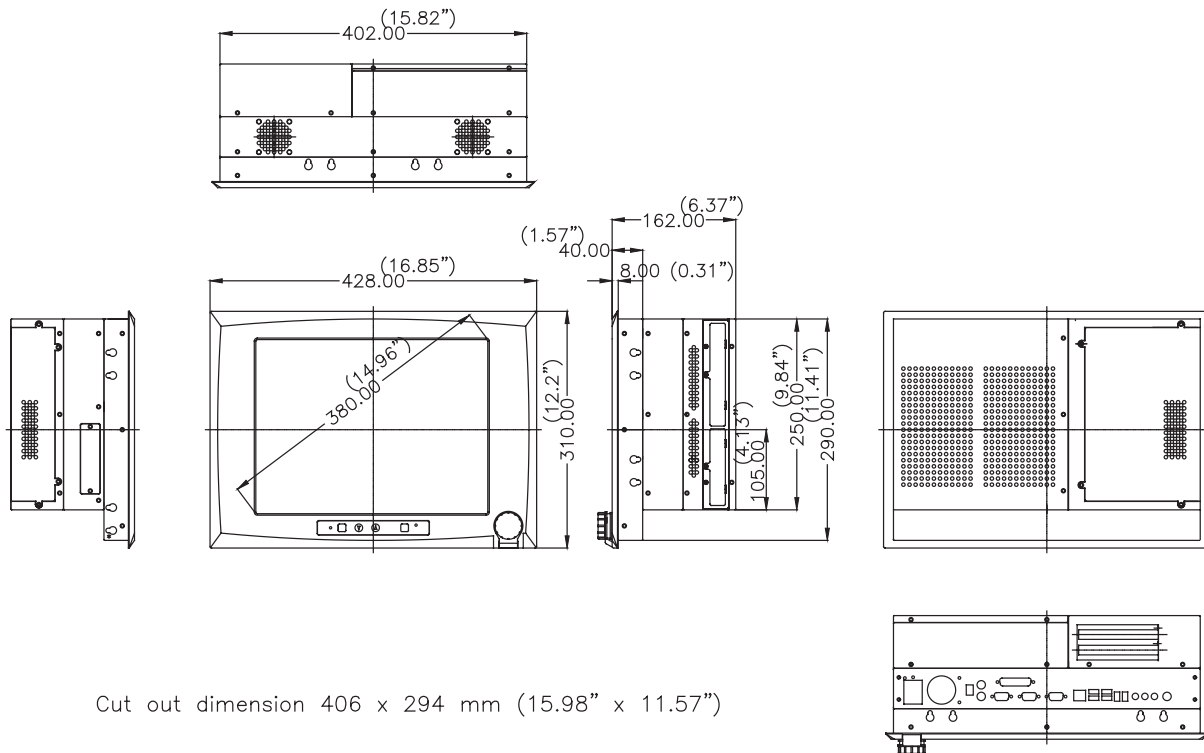
- **Humidity** 5 ~ 85% @ 40° C (non-condensing)
- **Ingress Protection** Front panel: NEMA4/IP65
- **Operating Temperature** 0 ~ 50° C (32 ~ 122° F)
- **Storage Temperature** -20 ~ 60° C (-4 ~ 140° F)
- **Vibration Protection** 5 ~ 500 Hz, 1 G_{RMS} random vibration

Ordering Information

- **IPPC-9151G-XAE** Rugged Pentium 4 Industrial Panel PC with 15" LCD
- **IPPC-9151G-RAE** IPPC-9151G-XAE with Resistive Touchscreen
- **IPPC-9151F-XAE** Rugged Pentium 4 Industrial Panel PC with 15" LCD
- **IPPC-9151F-RAE** IPPC-9151F-XAE with Resistive Touchscreen

Dimensions

Unit: mm



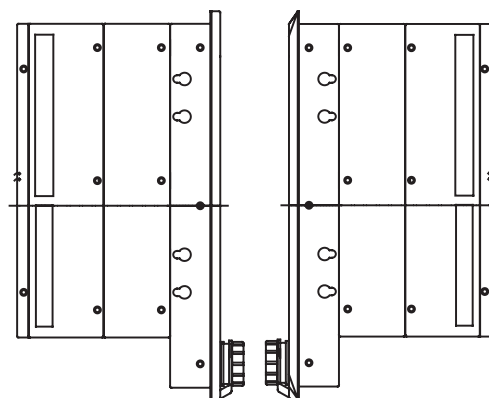
Accessories

- **IPPC-9151RACK-MT** Mounting Kit for Standard 19" Industrial Rack

Notes:

1. When used in a panel mounted environment, the panel's thickness can not be over 10 mm.

Flat-Sealed Front Panel (IPPC-9151F-XAE)



The flat-sealed front panel of IPPC-9151F-XAE (shown above left), is designed for minimum projection in panel mounts. This ensures easier liquid run-off, prevents dirty edges, and is useful in applications where hygiene is crucial (e.g. food processing).